

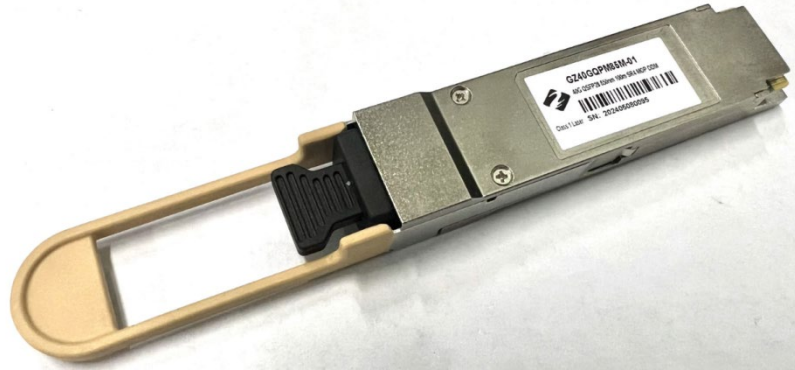


GZ40GQPM85M-01

40Gbps QSFP+ SR4 Transceiver

Features :

- Support 40GBASE-SR4/QDR application
- Compliant to QSFP+ Electrical MSA SFF-8436
- Multi rate of up to 10.3125Gbps
- Transmission distance up to 100m (OM3) and 150m (OM4)
- +3.3V single power supply
- Low power consumption
- Operating case temp Commercial: 0°C to +70 °C
- RoHS 6/6 compliant



Applications

- 40GBASE-SR4 at 10.3125Gbps per lane
- InfiniBand QDR
- Other optical links

Absolute Maximum Ratings

Parameter	Symbol	Min.	Typical	Max.	Unit	Notes
Supply Voltage	Vcc ₃	-0.5	-	+3.6	V	
Storage Temperature	T _s	-10	-	+85	°C	
Operating Humidity	RH	+5	-	+85	%	1
Receiver Damage Threshold per Lane	P _{IND}	+3.4	-	-	dBm	

Note: 1 No condensation

Shenzhen Guangzhi Communication Technology Co., LTD.

Production Address: 5th floor, Building 2, Peninsula Industrial Park, No. 3, Gangbian Tian Road, East Lake High-tech Zone, Wuhan Hubei Province, China.

Contact: Mr. Yang Tel.: +86-18607555895 E-mail: yanghan@optst.com

Website: www.optst.com

Document Number: OPTST-OP-053 A/0



Recommended operating Conditions

Parameter	Symbol	Min.	Typical	Max.	Unit	Notes
Operating Case Temperature	T_c	0	-	+70	$^{\circ}\text{C}$	
Power Supply Voltage	V_{cc}	3.14	3.3	3.47	V	
Power Dissipation	P_d	-	-	1.5	W	
Bit Rate	BR		10.3125	-	Gbps	

Electrical Characteristics

Parameter	Symbol	Min.	Typ.	Max.	Units	Notes
Input Logic Level High	V_{IH}	2.5	-	$V_{CC}+0.3$	V	
Input Logic Level Low	V_{IL}	0	-	0.8	V	
Output Logic Level High	V_{OH}	2.4	-	V_{CC}	V	
Output Logic Level Low	V_{OL}	0	-	0.4	V	
Transmitter						
Differential Data Input Swing	$V_{in,P-P}$	200	-	1600	mV_{PP}	
Input Differential Impedance	Z_{IN}	80	100	120	Ω	
Receiver						
Differential Data Output Swing	V_{out}	350	-	1000	mV	
Output Differential Impedance	Z_D	80	100	120	Ω	

Shenzhen Guangzhi Communication Technology Co., LTD.

Production Address: 5th floor, Building 2, Peninsula Industrial Park, No. 3, Gangbian Tian Road, East Lake High-tech Zone, Wuhan Hubei Province, China.

Contact: Mr. Yang Tel.: +86-18607555895 E-mail: yanghan@optst.com

Website: www.optst.com

Document Number: OPTST-OP-053 A/O



Optical Characteristics

Parameter	Symbol	Unit	Min	Typ	Max	Notes
Optical transmitter Characteristics						
Bit Rate	BR	Gbps		10.3125	-	
Center Wavelength Range	λ_c	nm	830	850	870	
RMS Spectral Width	$\Delta\lambda$	nm	-	-	0.65	
Average Launch power Tx_off	Poff	dBm	-	-	-30	
Launch Optical Power	P ₀	dBm	-7.6		2.4	1
Extinction Ratio	ER	dB	3	-	-	
Optical Receiver Characteristics						
Bit Rate	BR	Gbps		10.3125	-	
Sensitivity@BER=E-12	BER	dBm	-	-	-10.2	
Overload Input Optical Power	P _{IN}	dBm	2.5	-	-	2
Center Wavelength Range	λ_c	nm	820	-	880	
LOS Assert	-	dBm	-30	-	-	
LOS De-Assert	-	dBm	-	-	-12	
LOS Hysteresis	-	dB	0.5	-	-	

Note:

Coupled into 50/125 MMF.

Measured with PRBS 2³¹-1 test pattern @10.3125Gbps.BER=E-12

Pin arrangement

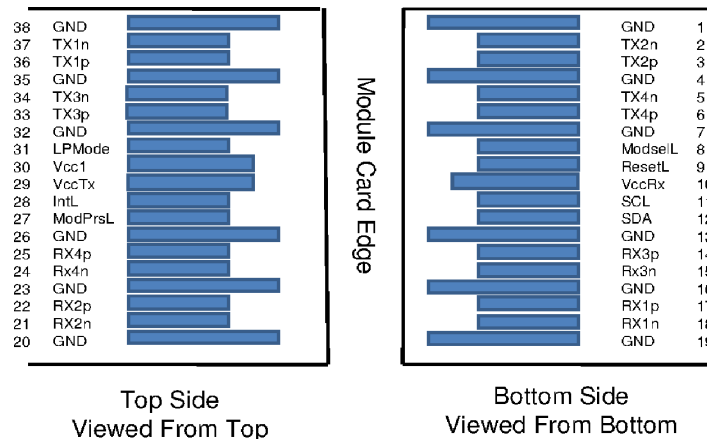


Figure 1, Pin View

Shenzhen Guangzhi Communication Technology Co., LTD.

Production Address: 5th floor, Building 2, Peninsula Industrial Park, No. 3, Gangbian Tian Road, East Lake High-tech Zone, Wuhan Hubei Province, China.

Contact: Mr. Yang Tel.: +86-18607555895 E-mail: yanghan@optst.com

Website: www.optst.com

Document Number: OPTST-OP-053 A/0



Pin Function Definitions

Pin	Symbol	Name/Description	Notes
1	GND	Ground	1
2	Tx2n	Transmitter Inverted Data Input	
3	Tx2p	Transmitter Non-Inverted Data Input	
4	GND	Ground	1
5	Tx4n	Transmitter Inverted Data Input	
6	Tx4p	Transmitter Non-Inverted Data Input	
7	GND	Ground	1
8	ModSelL	Module Select	
9	ResetL	Module Reset	
10	Vcc Rx	+3.3V Power Supply Receiver	
11	SCL	2-wire serial interface clock	
12	SDA	2-wire serial interface data	
13	GND	Ground	1
14	Rx3p	Receiver Non-Inverted Data Output	
15	Rx3n	Receiver Inverted Data Output	
16	GND	Ground	1
17	Rx1p	Receiver Non-Inverted Data Output	
18	Rx1n	Receiver Inverted Data Output	
19	GND	Ground	1
20	GND	Ground	1
21	Rx2n	Receiver Inverted Data Output	
22	Rx2p	Receiver Non-Inverted Data Output	
23	GND	Ground	1
24	Rx4n	Receiver Inverted Data Output	
25	Rx4p	Receiver Non-Inverted Data Output	
26	GND	Ground	1
27	ModPrsL	Module Present	
28	IntL	Interrupt	
29	Vcc Tx	+3.3V Power supply transmitter	
30	Vcc1	+3.3V Power supply	
31	LPMODE	Low Power Mode	
32	GND	Ground	1
33	Tx3p	Transmitter Non-Inverted Data Input	

Shenzhen Guangzhi Communication Technology Co., LTD.

Production Address: 5th floor, Building 2, Peninsula Industrial Park, No. 3, Gangbian Tian Road, East Lake High-tech Zone, Wuhan Hubei Province, China.

Contact: Mr. Yang Tel.: +86-18607555895 E-mail: yanghan@optst.com

Website: www.optst.com

Document Number: OPTST-OP-053 A/0



34	Tx3n	Transmitter Inverted Data Input	
35	GND	Ground	1
36	Tx1p	Transmitter Non-Inverted Data Input	
37	Tx1n	Transmitter Inverted Data Input	
38	GND	Ground	1

Note: 1. Circuit ground is internally isolated from chassis ground.

Optical interface arrangement

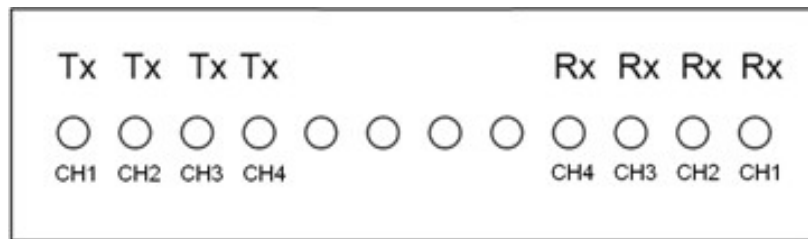


Figure 4, Optical interface arrangement. Lens upwards.

Shenzhen Guangzhi Communication Technology Co., LTD.

Production Address: 5th floor, Building 2, Peninsula Industrial Park, No. 3, Gangbian Tian Road, East Lake High-tech Zone, Wuhan Hubei Province, China.

Contact: Mr. Yang Tel.: +86-18607555895 E-mail: yanghan@optst.com

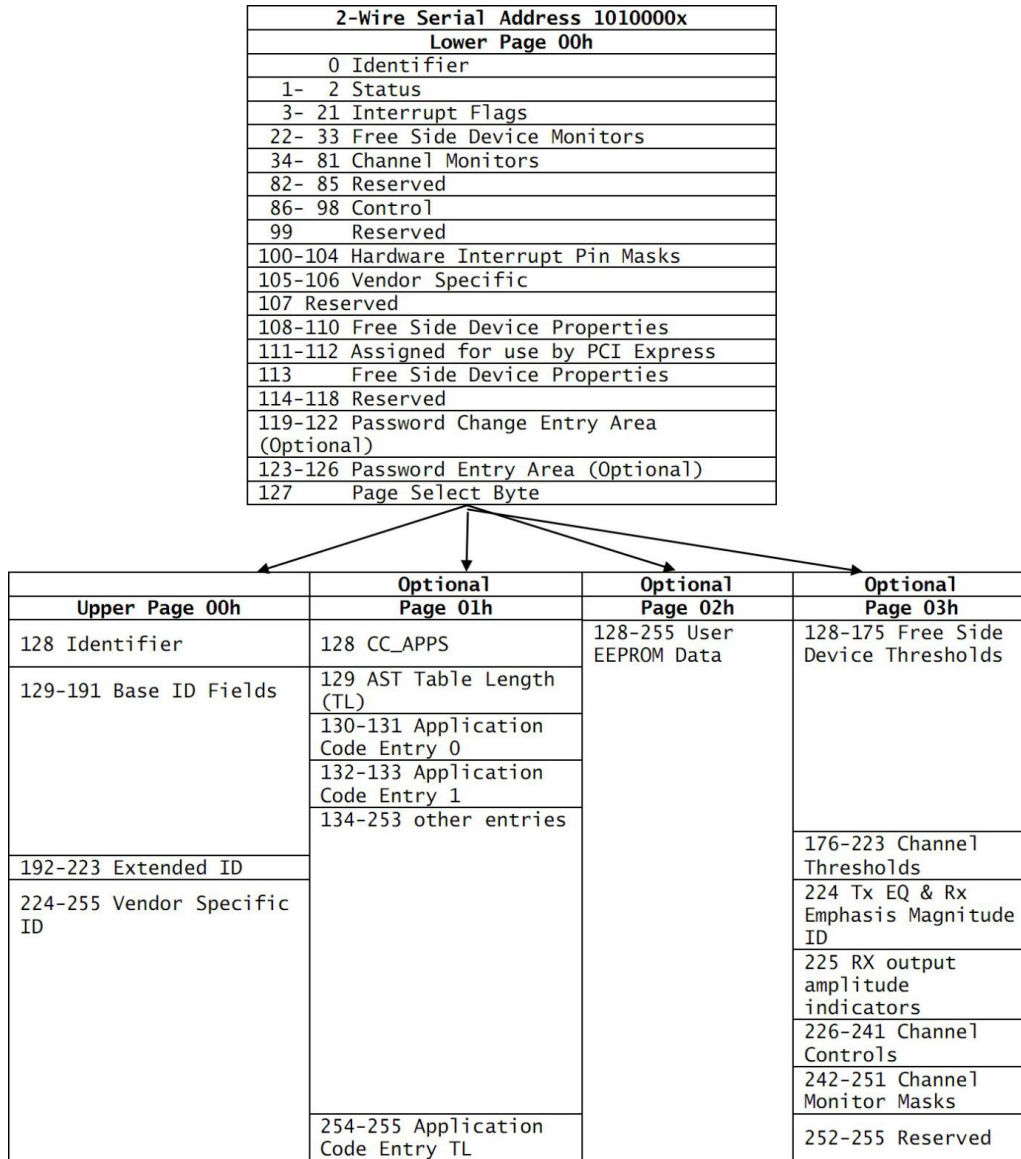
Website: www.optst.com

Document Number: OPTST-OP-053 A/0



Monitoring Specification

Figure 4, Memory Map



Shenzhen Guangzhi Communication Technology Co., LTD.

Production Address: 5th floor, Building 2, Peninsula Industrial Park, No. 3, Gangbian Tian Road, East Lake High-tech Zone, Wuhan Hubei Province, China.

Contact: Mr. Yang Tel.: +86-18607555895 E-mail: yanghan@optst.com

Website: www.optst.com

Document Number: OPTST-OP-053 A/0



Recommended Interface Circuit

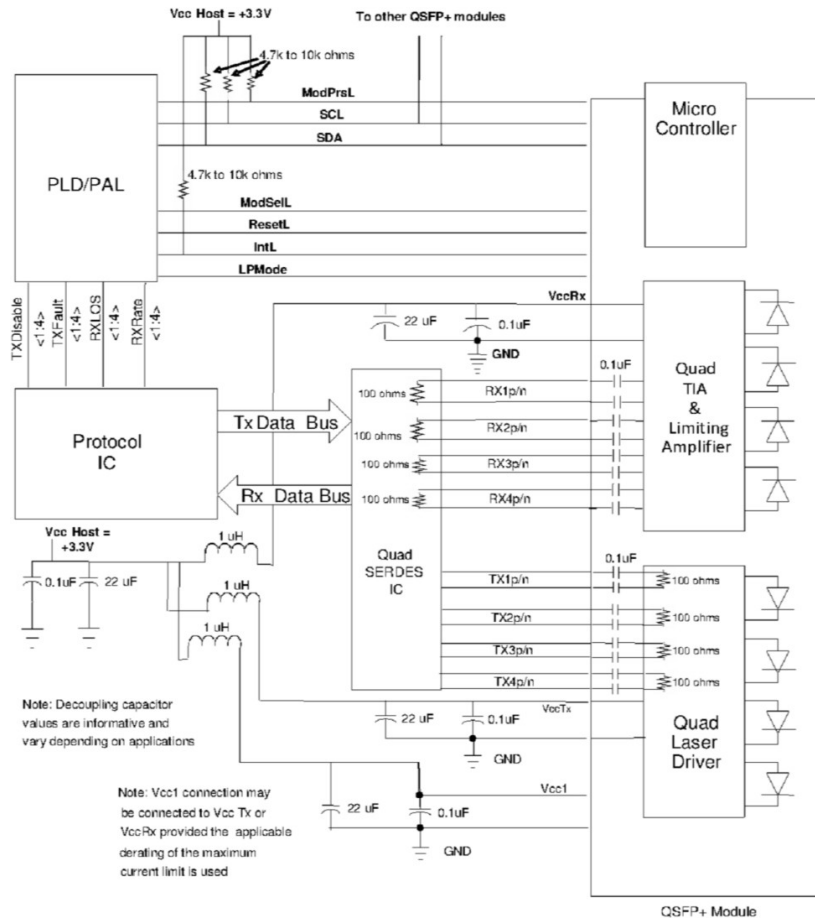


Figure 1, Recommended Interface Circuit

Shenzhen Guangzhi Communication Technology Co., LTD.

Production Address: 5th floor, Building 2, Peninsula Industrial Park, No. 3, Gangbian Tian Road, East Lake High-tech Zone, Wuhan Hubei Province, China.

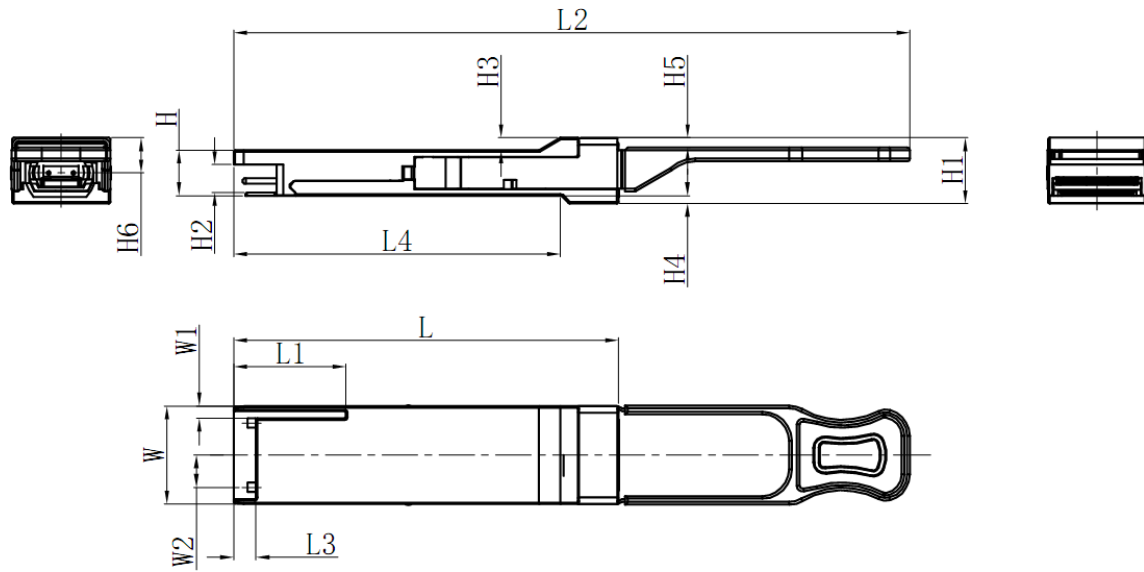
Contact: Mr. Yang Tel.: +86-18607555895 E-mail: yanghan@optst.com

Website: www.optst.com

Document Number: OPTST-OP-053 A/0



OUTLINE DIMENSIONS(Unit mm)



	L	L1	L2	L3	L4	W	W1	W2	H	H1	H2	H3	H4	H5	H6
Max	72.2	-	128	4.35	61.4	18.45	-	6.2	8.6	12.4	5.35	2.5	1.6	2.0	-
Type	72.0	-	-	4.20	61.2	18.35	-	-	8.5	12.2	5.2	2.3	1.5	1.8	6.55
Min	68.8	16.5	124	4.05	61.0	18.25	2.2	5.8	8.4	12.0	5.05	2.1	1.3	1.6	-

Figure 5, Mechanical Diagram

Order Information

Part. No	Specifications									
	Rate Gb/s	Tx	Tx WL nm	Po dBm	Rx	Sen. dBm	Temp °C	Reach m	Other	
GZ40GQPM85M-01	41.25	VCSEL	850	-7.6~+2.4	PIN	<-10.2	0~70	100~150	MPO 1x12	

Note:

OM3 fiber 100m and OM4 fiber 150m

Shenzhen Guangzhi Communication Technology Co., LTD.

Production Address: 5th floor, Building 2, Peninsula Industrial Park, No. 3, Gangbian Tian Road, East Lake High-tech Zone, Wuhan Hubei Province, China.

Contact: Mr. Yang Tel.: +86-18607555895 E-mail: yanghan@optst.com

Website: www.optst.com

Document Number: OPTST-OP-053 A/0



Warnings

Handling Precautions:

This device is susceptible to damage as a result of electrostatic discharge (ESD). A static free environment is highly recommended. Please follow guidelines according to proper ESD procedures.

Laser Safety:

Radiation emitted by laser devices can be dangerous to human eyes. Avoid eye exposure to direct or indirect radiation.

Notice:

The information provided on this page contains the product target specifications which are subject to change without notice.

Shenzhen Guangzhi Communication Technology Co., LTD.

Production Address: 5th floor, Building 2, Peninsula Industrial Park, No. 3, Gangbian Tian Road, East Lake High-tech Zone, Wuhan Hubei Province, China.

Contact: Mr. Yang Tel.: +86-18607555895 E-mail: yanghan@optst.com

Website: www.optst.com

Document Number: OPTST-OP-053 A/0